





# How to Measure for Replacement Windows

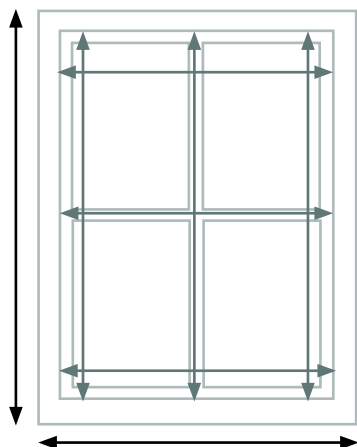


## Equipment needed:

-  A metric tape measure (cm's / mm's)
-  A sturdy stepladder (if applicable)
-  Notepad
-  Pen/pencil

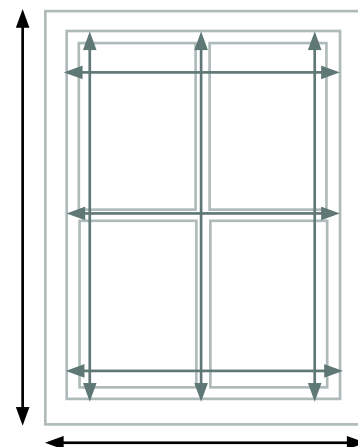
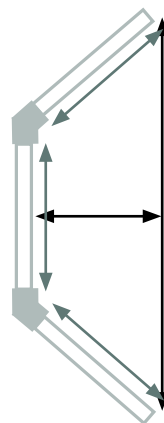
## Important points to be aware of:

- British window manufacturers and installers use the metric measuring system (centimetres & millimetres).
- For absolute accuracy, take measurements from the property's exterior. \*excluding bay/bow windows; see below.
- To avoid confusion, be sure to note width and height dimensions clearly.
- Measure from brick-to-brick, do not measure the existing frame.



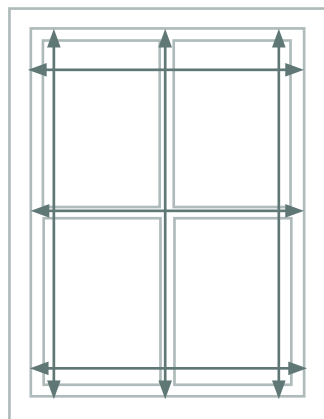
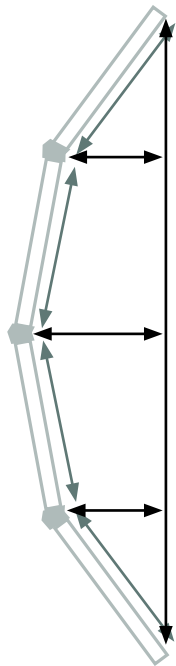
## Measuring for replacement windows

1. Measure the height and width of the window from the brick-to-brick opening around the window and underneath any existing window sills, add-ons or frame couplers.
2. Take at least 3 measurements of height and width, from the top, middle and bottom of the window; so, you should have at least 6 measurements to work with.
3. Subtract 10mm/1cm from the smallest height and width measurement.
4. Repeat the process, to make sure your measurements are 100% accurate.
5. Send us your measurements.



## Measuring for replacement bay windows (angled)

1. Measure the back-span width from the inside, edge to edge from the existing frame.
2. Measure each side window from the inside, ensuring they are the same from one edge of the frame to the other.
3. Measure the height of the bay from the property's exterior, from the brick-to-brick opening around the window and underneath any existing window sills.
4. To account for two 70mm 90-degree corner posts, add 140mm to the external dimensions.
5. Repeat the process, to make sure your measurements are 100% accurate.
6. Send us your measurements.



## Measuring for replacement bow windows (curved)

1. Measure the back-span width from the inside, edge to edge from the existing frame.
2. Measure each window facet individually from the inside, from one edge of the frame to the other.
3. Measure the projection of the bow from the inside, from the back span to the interior point of the window frame.
4. Measure the height of the bow from the property's exterior, from the brick-to-brick opening around the window and underneath any existing window sills.
5. Repeat the process, to make sure your measurements are 100% accurate.
6. Send us your measurements.

If you're unsure about anything, please call the Poole Joinery team on 01202 661299 or email [office@poolejoinery.com](mailto:office@poolejoinery.com)

## UK Window Size Guide

Standard uPVC window height	Standard uPVC window width
450mm	488mm
600mm	630mm
1,050mm	915mm
1,200mm	1,200mm
1,350mm	1,770mm
1,500mm	

Minimum Aluminium Window Height	Minimum Aluminium Window Width
300mm	350mm
Maximum Aluminium Window Height	Maximum Aluminium Window Height
1,500mm	1,400mm

Standard Bay Window Height	Standard Bay Window Width
914.4mm - 1981.2mm	1,066.8mm - 3,200.4mm

# Window Measurements

Measurements provided using this form are for quotation only. Poole Joinery take full responsibility of measurements and will ensure that final measurements are taken by a surveyor prior to manufacturing.

If you're unsure about anything, please call the Poole Joinery team on 01202 661299 or email [office@poolejoinery.com](mailto:office@poolejoinery.com)



Contact us today to book your no obligation quote

**01202 661 299**